



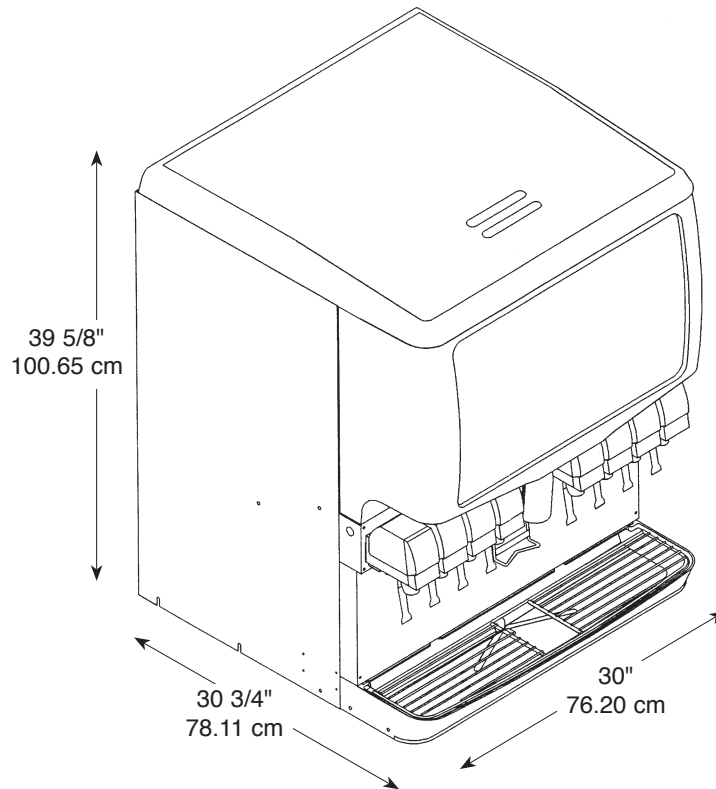
ENDURO 250

POST-MIX ICE DRINK DISPENSER



FEATURES:

- 250 lb. ice capacity
- Available with 8 or 10 UFB-1™ sanitary lever or push button valves
- Illuminated merchandiser delivers high impact marketing message
- New and improved TotalFlex™ – easily changes from carbonated to non-carbonated
- Gravity ice dispensing with positive shut-off provides excellent ice targeting
- Ice used to cool cold plate is separate from ice dispensed into cups
- One piece ABS thermoformed plastic ice storage hopper (Durabide™ design) provides durability and ensures all ice in the hopper is dispensable
- Unit readily accepts top mount cubers with manual ice fill capability
- Stainless steel cabinet
- Modular design allows for easy component access from the front of the unit



PART NUMBER	DESCRIPTION
621052807	Ice Drink Dispenser with 8 UFB-1™ 2-4 oz Sanitary Lever valves
0528552	Ice Drink Dispenser with 8 UFB-1™ 2-4 oz Push Button valves
621052806	Ice Drink Dispenser with 10 UFB-1™ 2-4 oz Sanitary Lever valves
0528452	Ice Drink Dispenser with 10 UFB-1™ 2-4 oz Push Button valves
3473	Drink dispenser stand Dimensions: 30"H x 30"W x 30"D
629087406	Leg Kit contains four 4" (102 mm) legs

Order optional leg kit separately.

TECHNICAL SPECIFICATIONS:

ICE STORAGE CAPACITY 250 lb (113.40 kg)

ICE BEVERAGE MANIFOLDING . . TotalFlex

CUP CLEARANCE 10" (25.4 cm)

COOLING CAPACITY 10-12oz drinks/min
@ 75°F

GRAPHIC DIMENSIONS Overall:
15.083"H x 24.79"W
Viewable:
14.59"H x 24.17"W

DRAIN CONNECTION 0.75" PVC (NPT) or
1" ID flexible tubing

STANDARD FEATURES Beverage key switch,
Timed ice agitation

ELECTRICAL RATING 115 V / 60 Hz / 3.5 Amps

SHIPPING WEIGHT 340 lb (154.22 kg)

AGENCY LISTINGS   
City of Los Angeles



IN THE U.S.A.
Ph: 800.238.3600
Fax: 763.488.4283

OUTSIDE THE U.S.A.
Ph: 763.488.8200
Fax: 763.488.4283

101 Broadway Street West
Osseo, MN 55369
www.cornelius.com